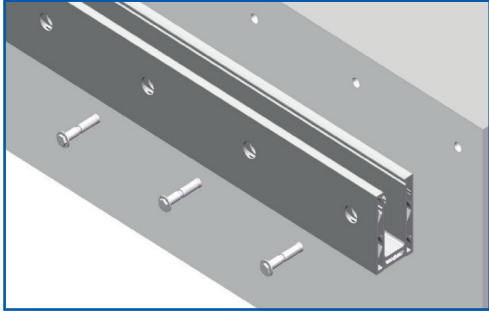
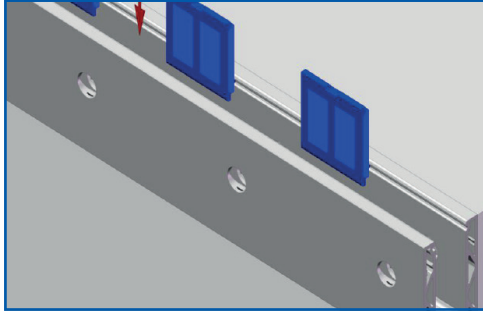


For side-fix channel

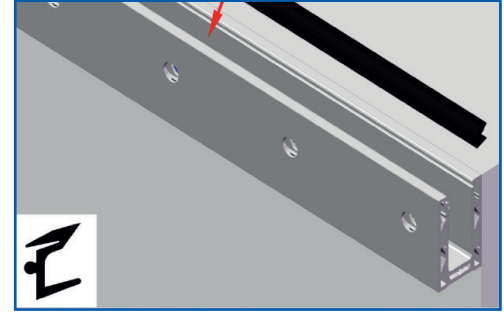
- 1** Pre drill holes for anchor screws and fix the aluminium channel to the wall ensuring it is level.



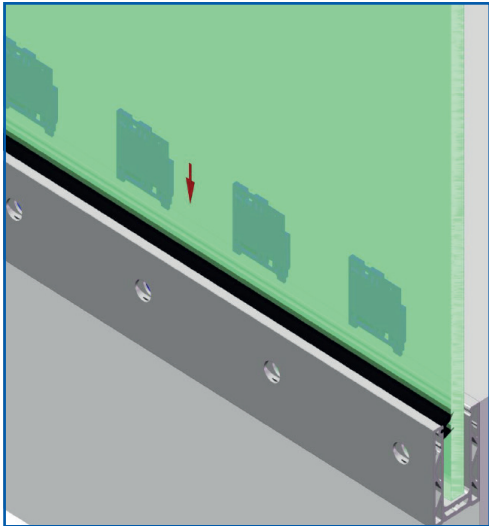
- 2** Place the 'L' wedge in the channel on the fixed side.



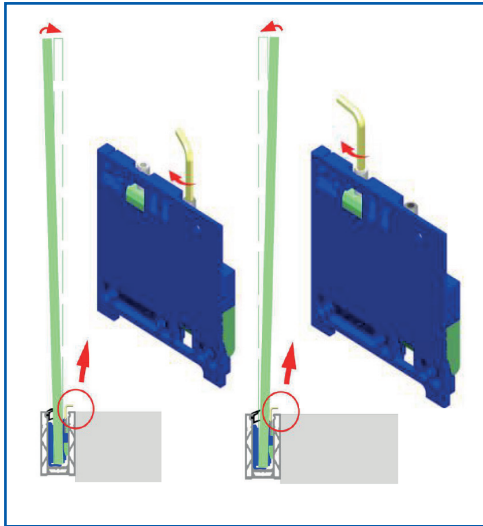
- 3** Place rubber gasket on the fixed side and press in place.



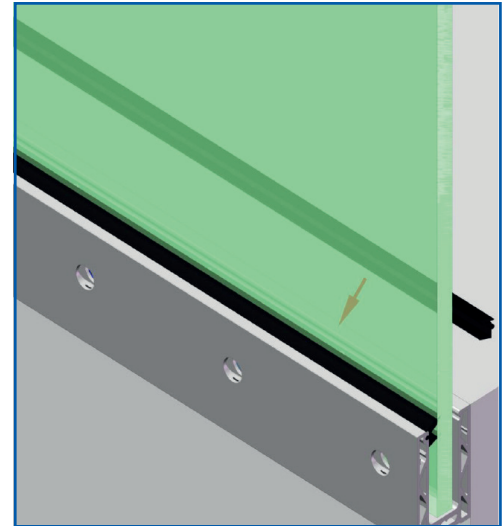
- 4** Place the glass into the channel and insert wedges between glass and channel.



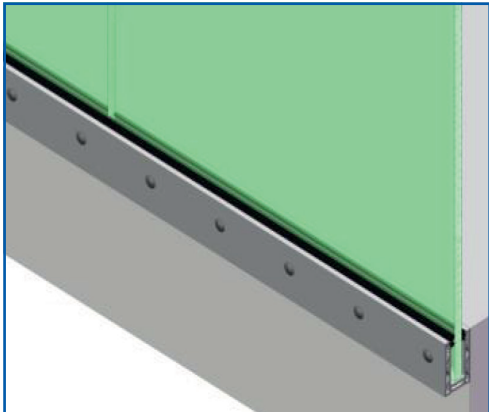
- 5** Twist the wedge with the flexible hex bit to adjust the glass alignment.



- 6** Place rubber gasket between channel and glass and press firmly in place. Cover holes with screw caps



Completed installation



Whilst every effort has been made to ensure the accuracy of the information supplied. F.H.Brundle cannot be held responsible for any errors or omissions. This product must only be employed for its original intended use. Any other use is wrong and potentially dangerous. Installation must be carried out in full compliance with current regulations. F.H.Brundle cannot be held liable for any damages resulting from wrongful, erroneous or negligent use.