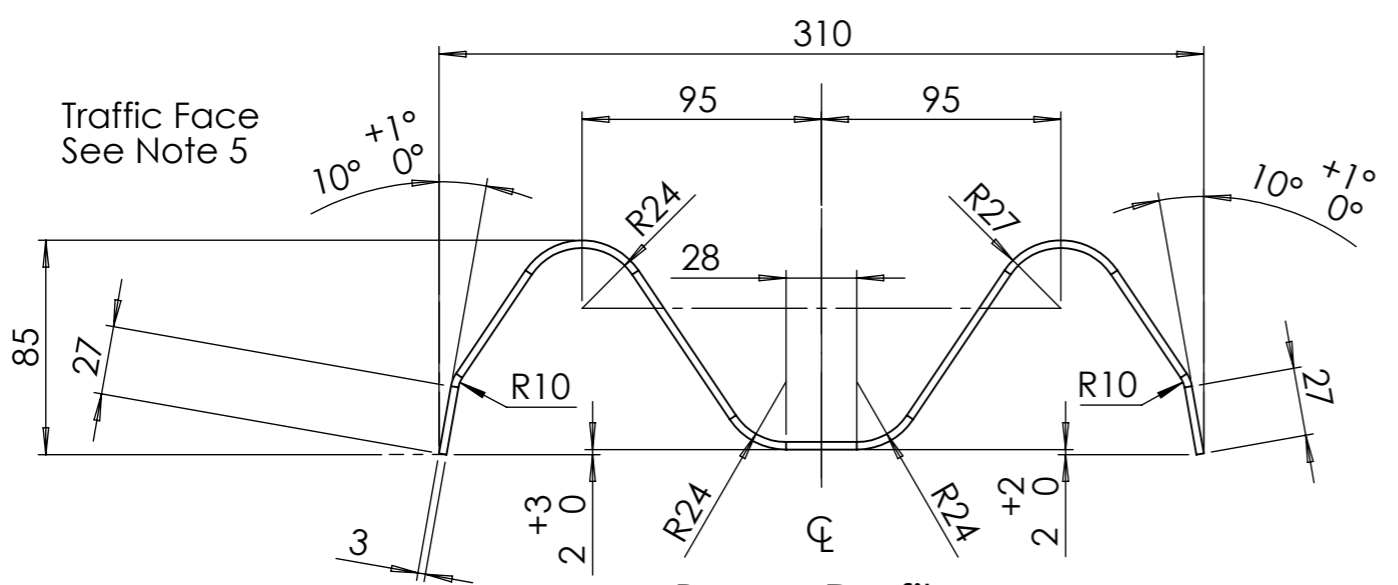
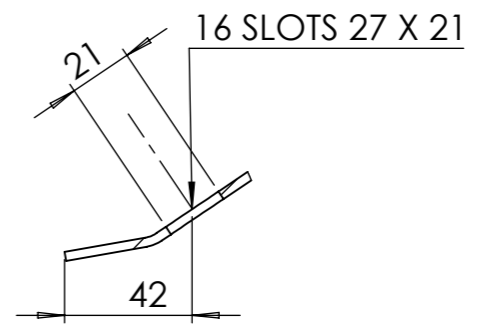


SECTION A-A
SCALE 1 : 5
TYP 4 POSNS

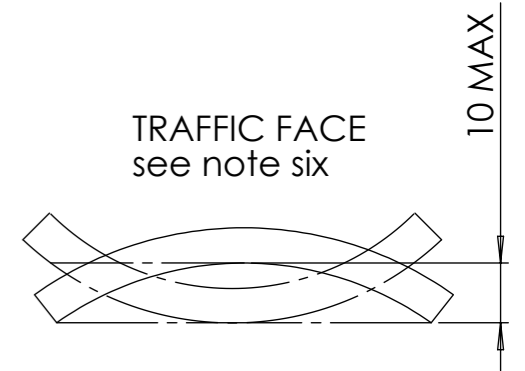
4 Groups of 4 Slots
See Detail B



Beam Profile
SCALE 1:3



DETAIL B
SCALE 2 : 5



HIGHWAY CONSTRUCTION DETAILS
IMPORTANT NOTES

- 1) TOLERANCES EXCEPT WHERE OTHERWISE STATED
UP TO 400 +2,0 : 401 TO 800 +4, 0 : 801 AND OVER +6, 0
- 2) REMOVE ALL BURRS AND SHARP EDGES
- 3) DURABLY MARK MANUFACTURER'S IDENTIFICATION AND DATE (MONTH & YEAR e.g. 10/2015)
- 4) TRAFFIC FACE OF BEAM TO BE STRIGHT WITHIN TOLERANCE SHOWN.
- 5) THE SECTIONS OF BEAM PROFILE BETWEEN RADII SHALL NOT DEVIATE FROM A STRIGHT LINE BY MORE THAN ±1.0

	FH BRUNDLE Tel: 01282 834545 Email: designs@brundle.com Web: www.fhbrundle.co.uk		NOTES: Technical Drawing - Drawing Not To Be Supplied To Customer	
	MATERIAL: BS EN 10 025 GRADE S275		DESCRIPTION: Standard Corrugated Beam	
FINISH: Galvanised		PART NO: 120132		
GRIT SIZE: N/A		DWG NO: 0179-010-02		
WEIGHT: 39.33 Kg		SCALE: 1:20 DO NOT SCALE DRAWING		
UNLESS OTHERWISE SPECIFIED ALL DIMENSIONS ARE IN MILLIMETERS		SHEET 1 OF 1		
NAME: GC DATE: 11/06/2015 REVISION: E	A3		SHEET 1 OF 1	